



Measuring & Ordering Deductions

FOR MOTORIZED SCREENS



www.metroscreenworks.com

MEASURING: QUICK NOTES

Measuring & Ordering Deductions

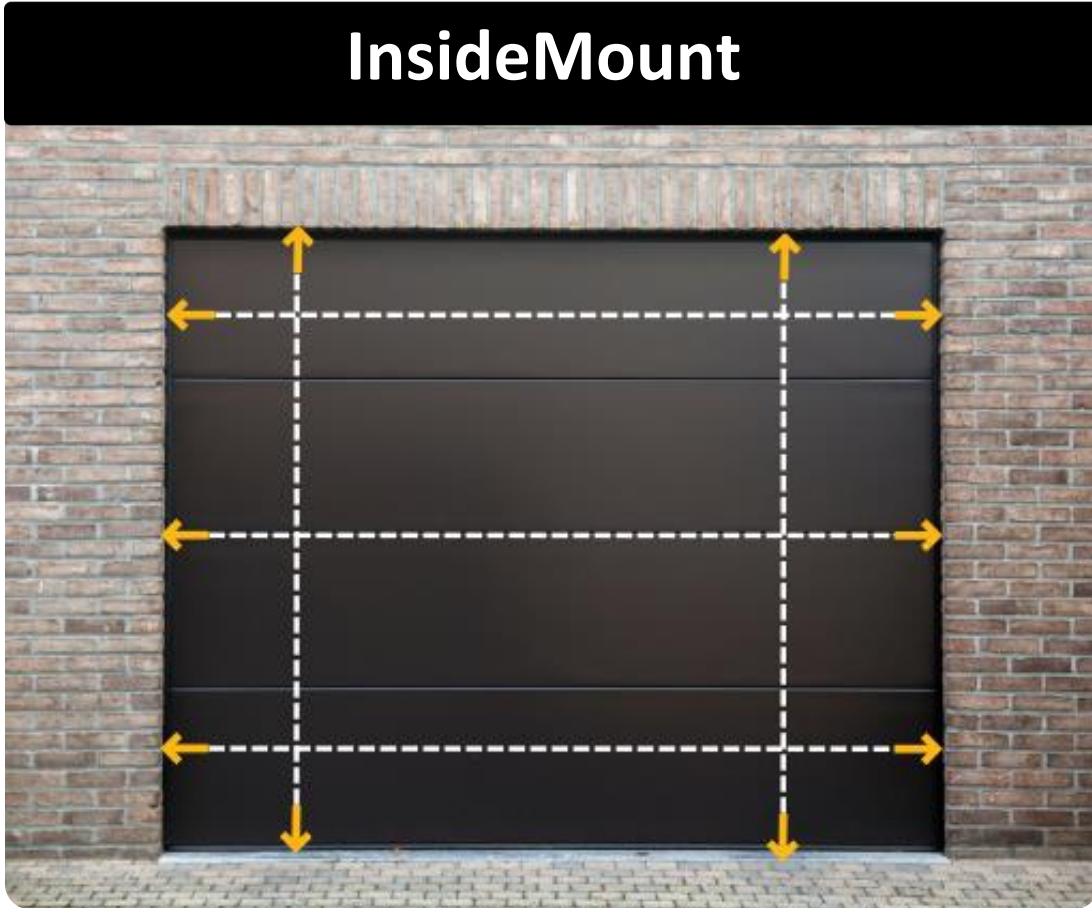
- **+5"** Standard Tracks Face Mount
- **+7"** SA Tracks Face Mount
- **- ½"** Standard & SA Tracks UnderHeader
- **- 0"** Recessed Track (wood to wood)

BIAS CUTS

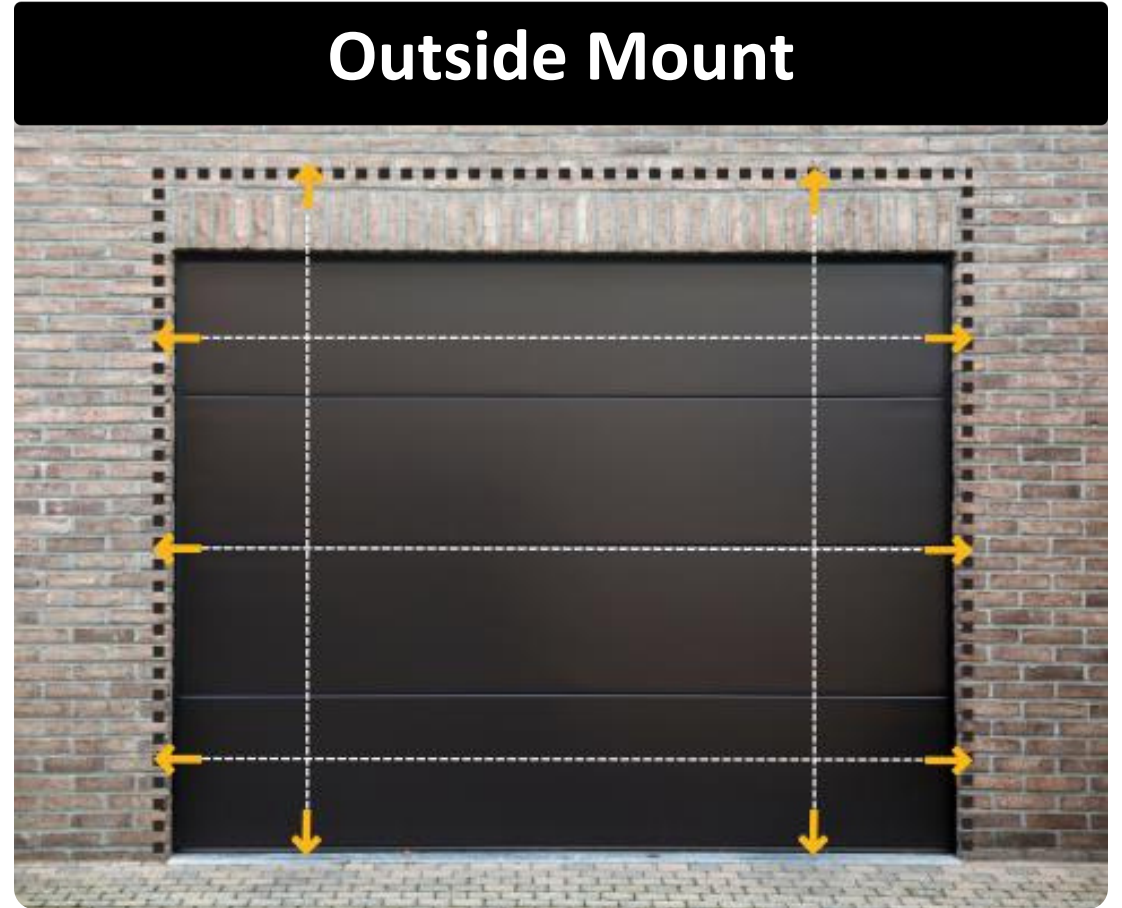
- None under ½"
- Customer expectations on bias cut

MEASURING: INSIDE VS OUTSIDE MOUNT

InsideMount



Outside Mount



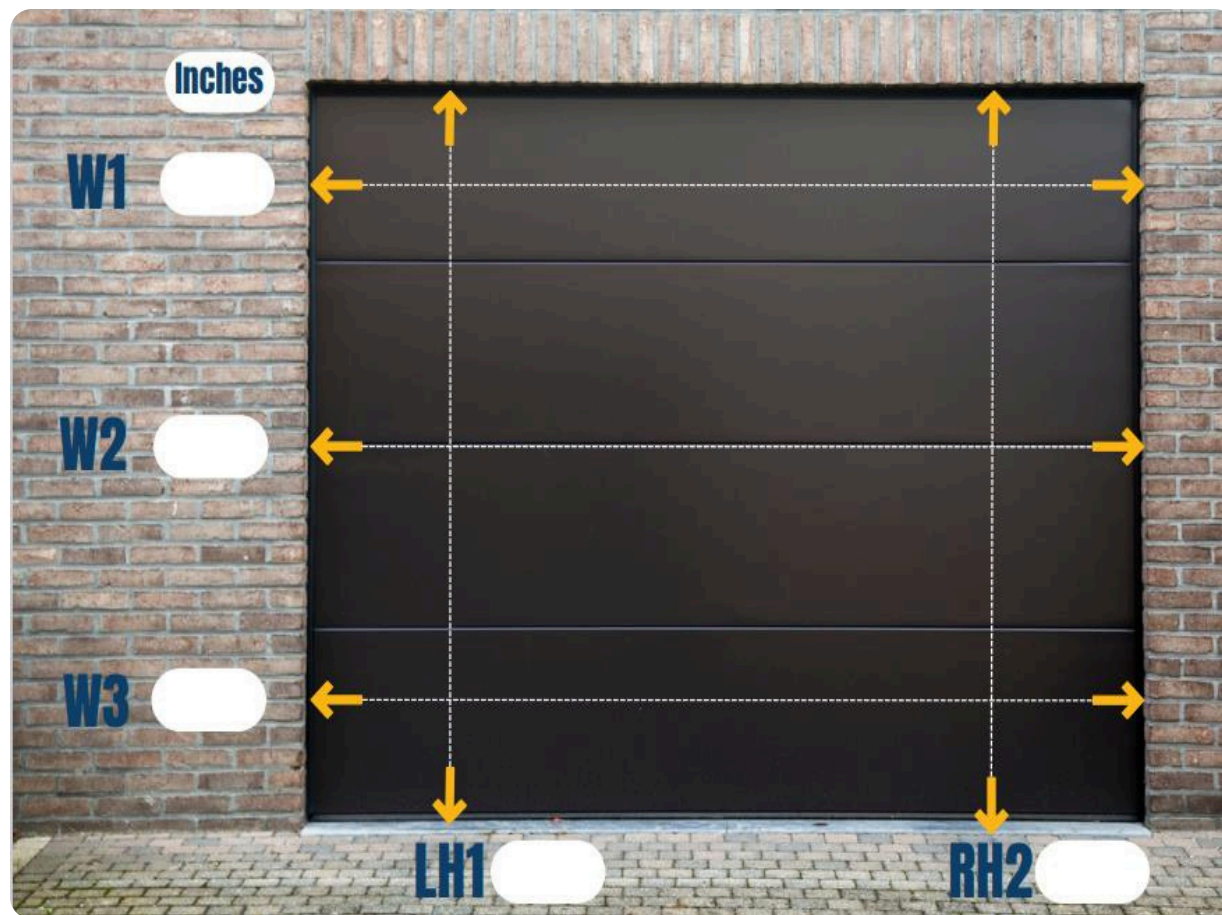
MEASURING: INSIDE MOUNT

1. Width

Measure in inches W1, W2, and W3.
Take the narrowest measurement and subtract ½ inches.

2. Height

Measure in inches LH1 and RH2,
using tallest measurement.



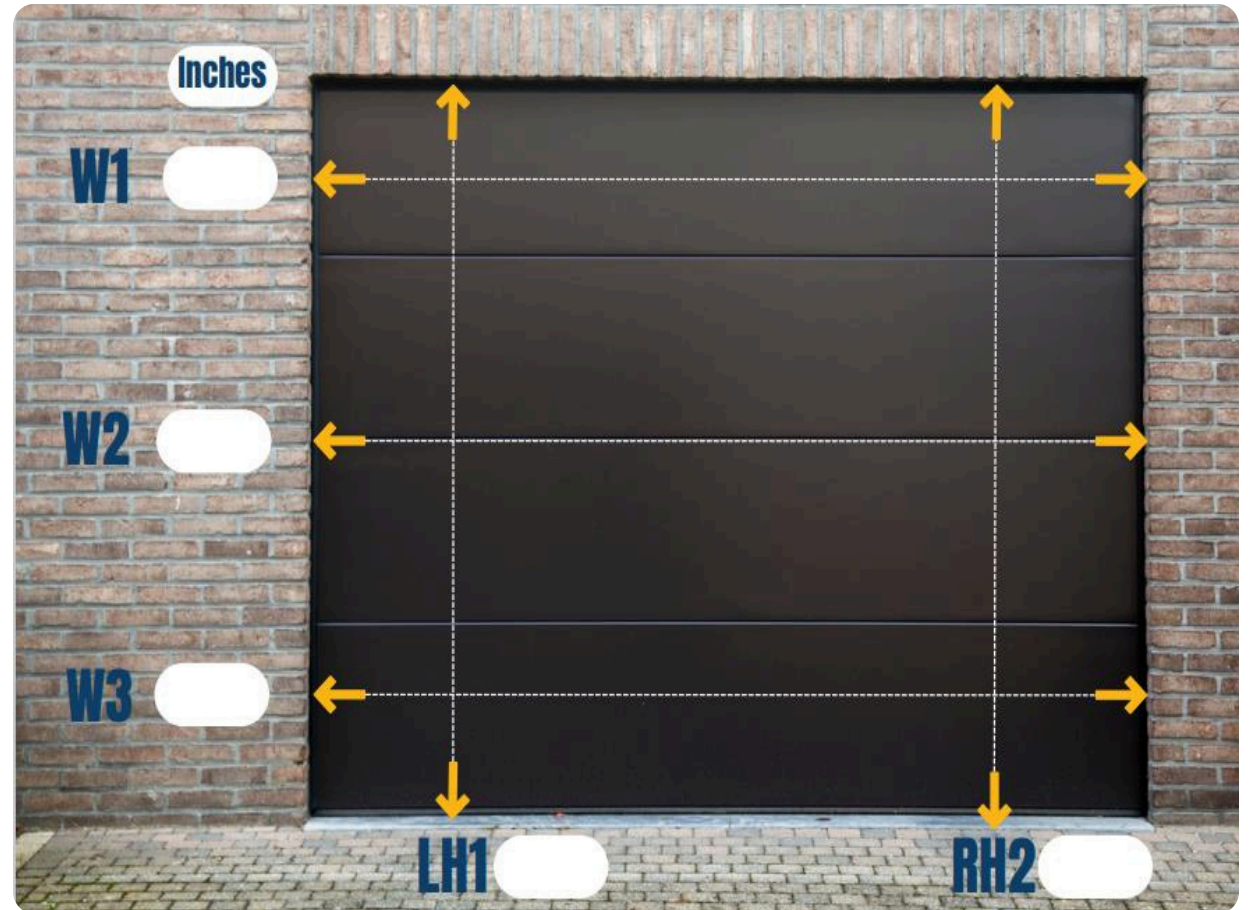
MEASURING: OUTSIDE MOUNT

1. Width

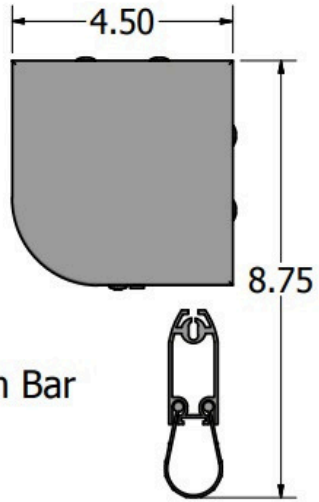
Measure in inches W1, W2, and W3.
Take widest measurement, add 5"
for standard tracks or 7" for SA tracks.

2. Height

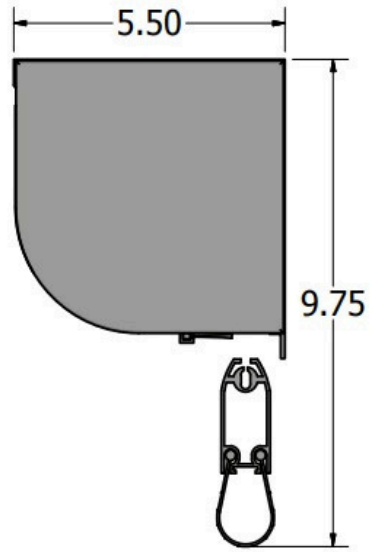
Measure in inches LH1 and RH2 take
highest measurement and add 10".
(5" housing and standard bottom
bar with standard boot.)



4" Housing



5" Housing



7" Housing

