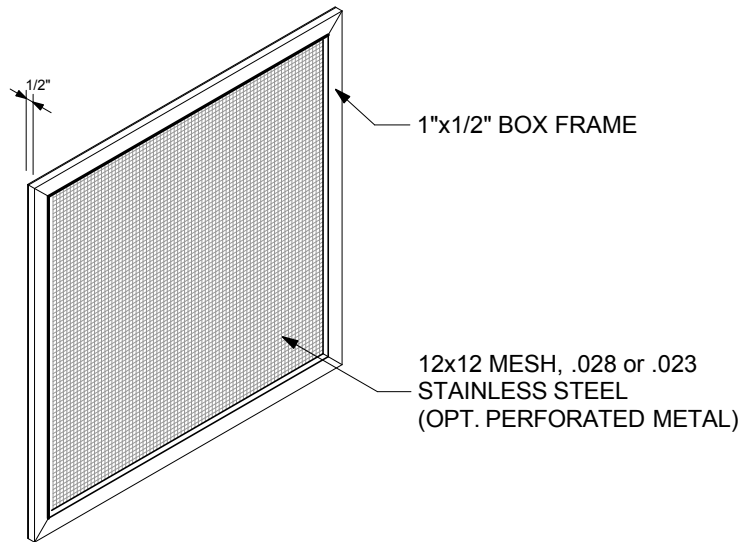
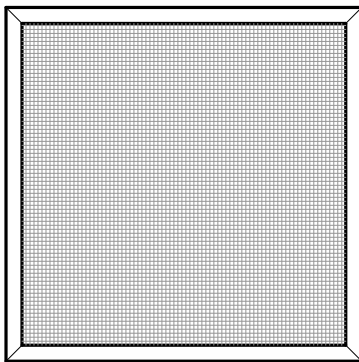


# COVER PLATE



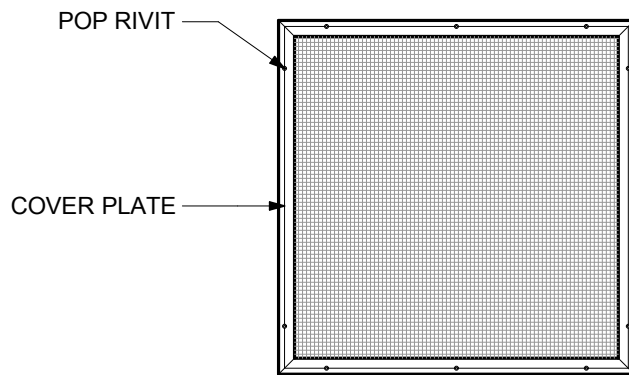
## EXTERIOR PERSPECTIVE

SCALE: 1" = 1'-0"



## EXTERIOR VIEW

SCALE: 1" = 1'-0"



## INTERIOR VIEW

SCALE: 1" = 1'-0"