

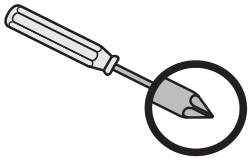
IT IS HIGHLY RECOMMENDED THAT THE INSTRUCTIONS BE READ THROUGH BEFORE INSTALLATION.



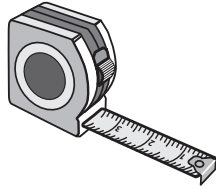
MILANO 200 DOUBLE DOOR RETRACTABLE SCREEN DOOR INSTALLATION INSTRUCTIONS

INSTALLATION TOOLS

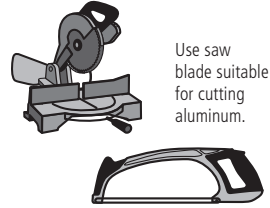
PHILLIPS SCREWDRIVER



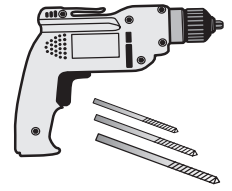
MEASURING TAPE



HAND-HELD OR POWER SAW



POWER DRILL & BITS



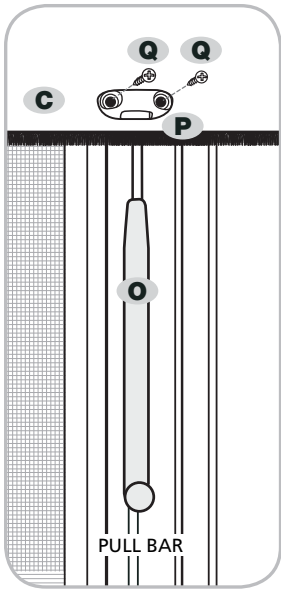
INTRODUCTION

The Genius Milano 200 retractable screen features two fully assembled screen cassettes pre-sized for the opening dimensions that you have provided.

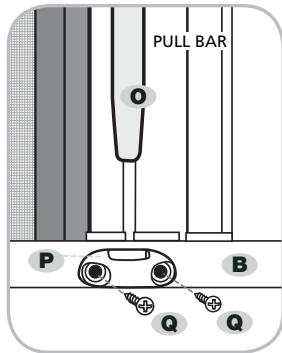
The instructions are split into two sections: RECESS INSTALLATION, PAGE 2, and SURFACE INSTALLATION, PAGE 6. Determine which you need before starting.

The Milano can be made using different size and styled A-Screen Cassettes.

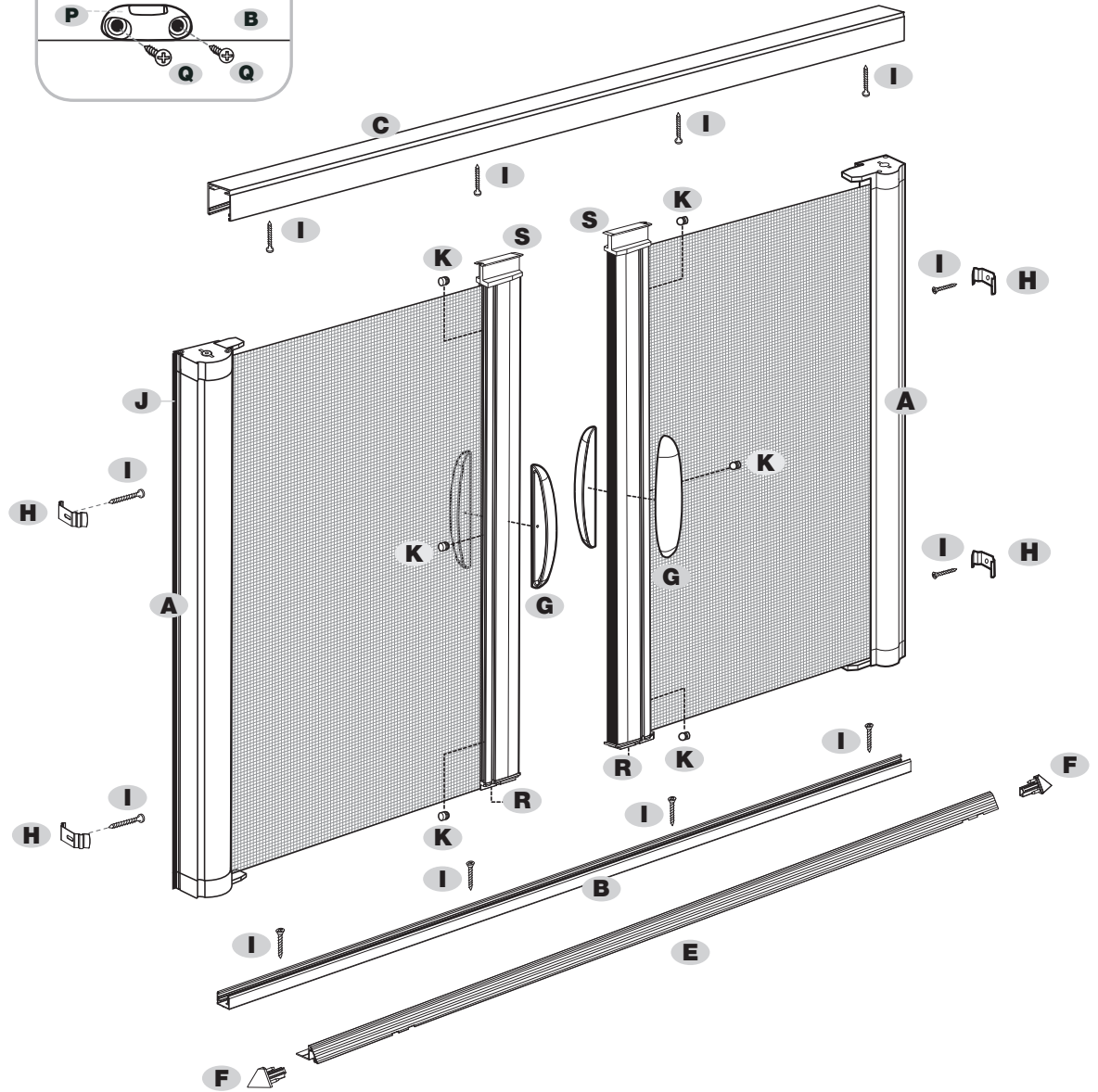
The illustrations shown in these instructions are intended for instructional use.



Optional Top Slide Bolt



Optional Bottom Slide Bolt



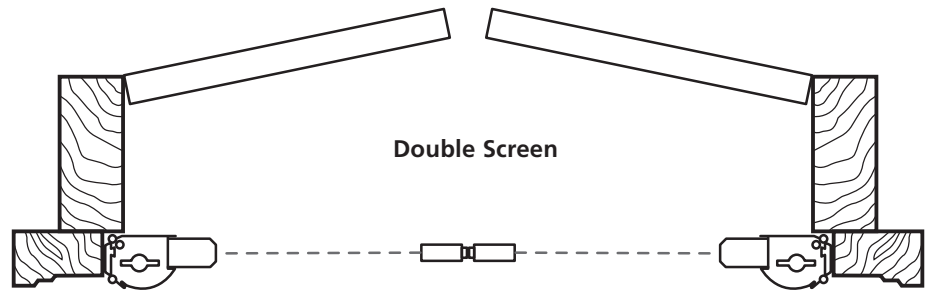
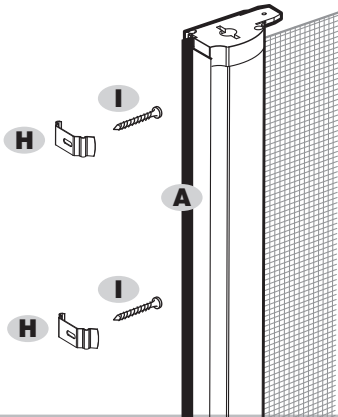
PART DESIGNATIONS

- | | | |
|--|---|--|
| A Screen Cassette Assembly | F Threshold Transition End Caps (optional, ordered separately) | J Pile / Weather Strip |
| B Bottom Guide Rail | G Handle | K Rubber Bumpers |
| C Top Guide Rail | H Recess Mount Clips | O Slide Bolts |
| E Threshold Transition (optional, ordered separately) | I #8 x 3/4" (19mm) Phillips Panhead Screws | P Slide Bolt Retainers |
| | | Q #4 x 3/8" (9.5mm) Phillips Panhead Screws |

1 MOUNTING

The A-Screen Cassettes will be mounted inside the door frame using H-Recess Mounting Clips and I-#8 x 3/4" (19mm) Phillips Panhead Screws.

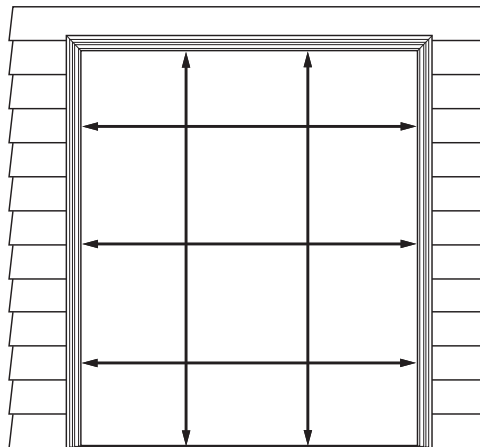
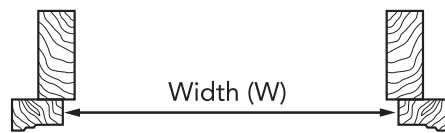
1-A Recess Installation



2 MEASURING

Measure the opening width and height in several places and record the smallest width and height measurement.

Recess Installation



RECORD

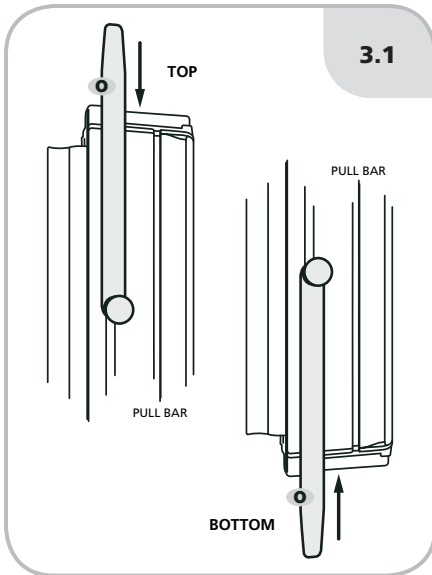
W _____

H _____



Height (H)

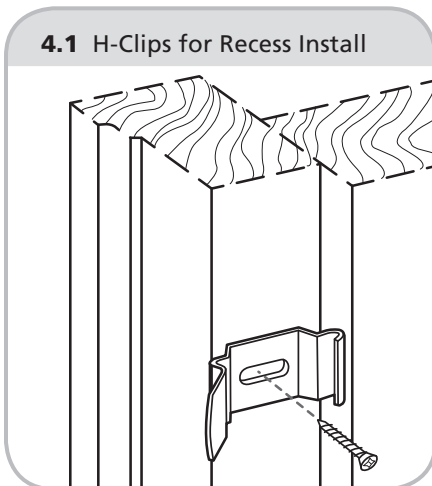
Sill



3 **OPTIONAL • INSTALLING THE SLIDE BOLT ACCESSORY LOCK**

Identify which of the two screen panels will be the one most often used to enter and exit the home. You will install the Slide Bolt Accessory Lock on the interior side of this inactive panel (the side less used).

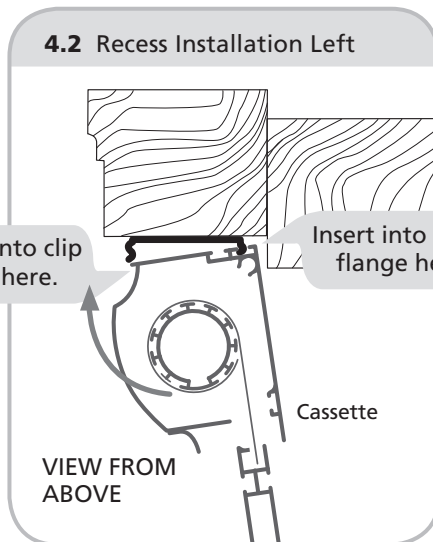
In the interior groove of the pull bar, **slide in an S-Slide Bolt at the bottom and then another at the top**. Make certain that the pointed end of each Slide Bolt faces out [3.1].



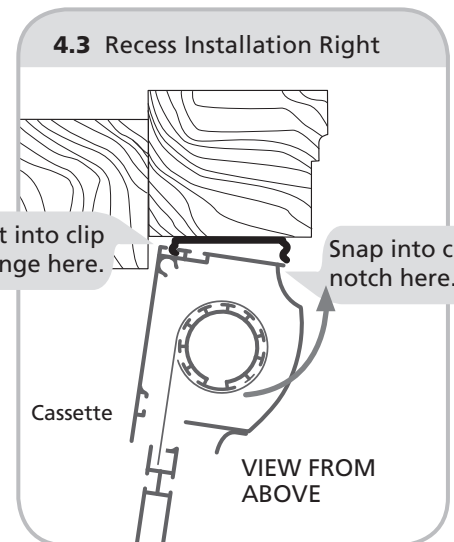
4.1 H-Clips for Recess Install

4 **INSTALLING THE CASSETTES**

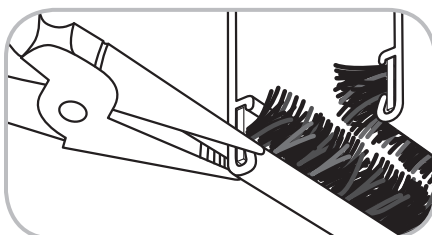
Using the I-#8 x 3/4" (19mm) Phillips Panhead Screws, install the H-Recess Mounting Clips 16" from the top and bottom of both sides of the door opening [4.1]. Lock the Screen Cassettes onto the mounting clips, right and left [4.2 & 4.3].



4.2 Recess Installation Left

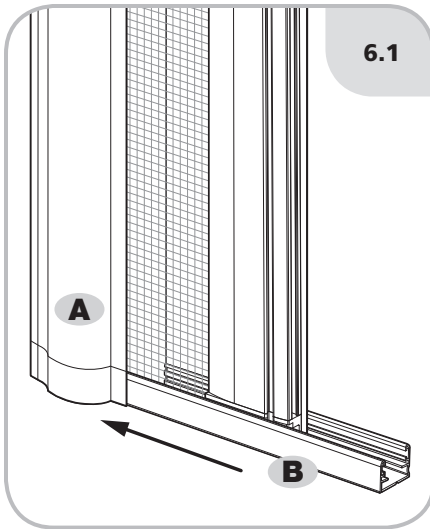


4.3 Recess Installation Right



5 **CRIMP WEATHER STRIPS**

Crimp in the upraised channel lip on the inside of each corner of the C-Top Guide Rail to keep the J-Pile/Weather Strip from moving, as shown at left.

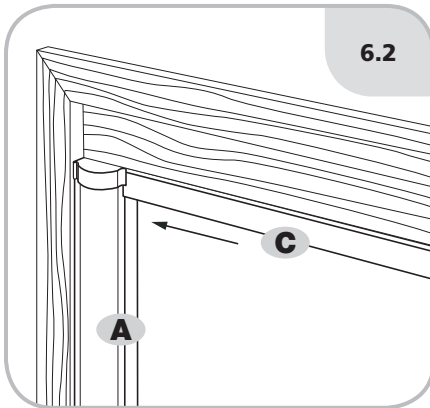


6.1

6 INSTALLING THE TOP AND BOTTOM GUIDE RAILS

Slide the **B-Bottom Guide Rail** fully onto the tab on the **A-Screen Cassette End Cap** [6.1]. Repeat for the **C-Top Guide Rail** [6.2].

On the opposite end of the top and bottom guide rails, insert the tabs of the second Cassette. Move the Cassette and guide rails into position within the door opening then clip the second Cassette into the Recess Mounting Clips.

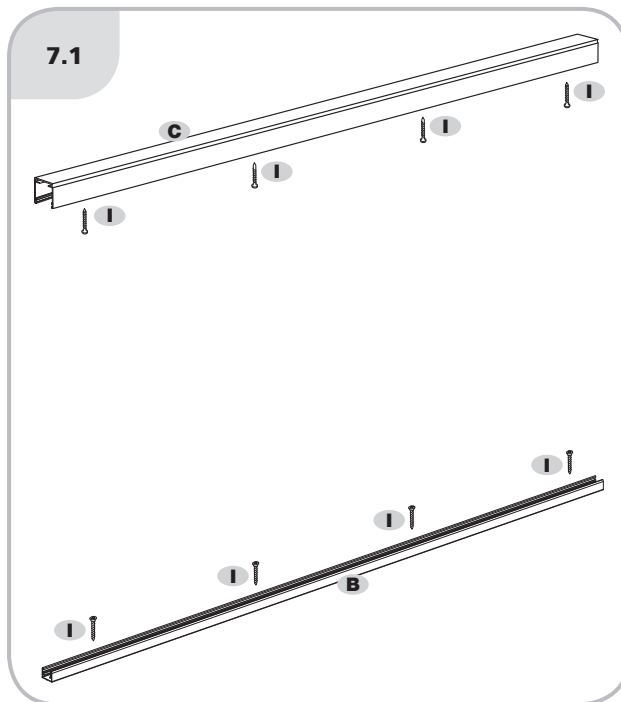


6.2

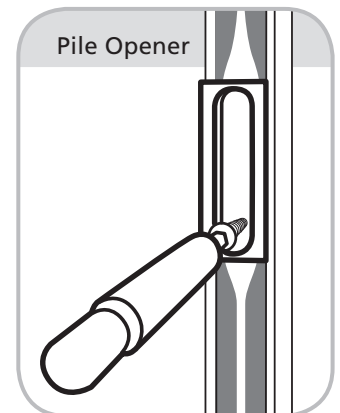
7 SECURE THE RAILS WITH SCREWS

Secure the **B-Bottom Guide Rail** and **C-Top Guide Rail** with four **I-#8 x 3/4" (19mm) Phillips Panhead Screws** each [7.1]. Position screws 6 inches (150mm) in from each end and equally space the remaining screws.

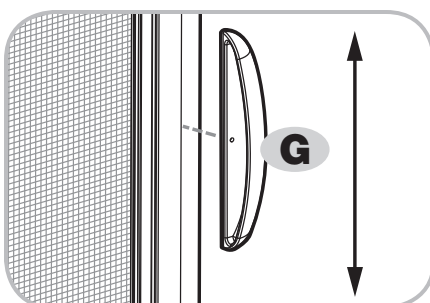
When installing the **Bottom** and **Top Guide Rail**, use the convenient **Pile Opener** included with this kit, to temporarily separate the two insect piles. This will make for easier viewing and installation of the screws.



7.1



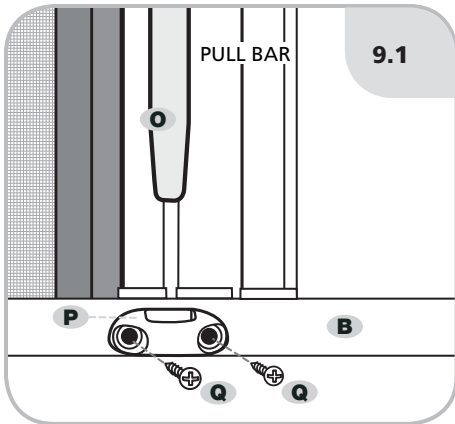
Pile Opener



G

8 ADJUSTING THE HANDLES

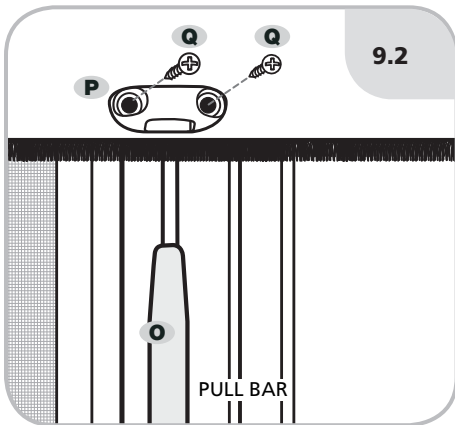
Adjust the **G-Handle** heights by loosening the **Allen-Head Set Screw**, move the **G-Handle** as desired and retighten screw.



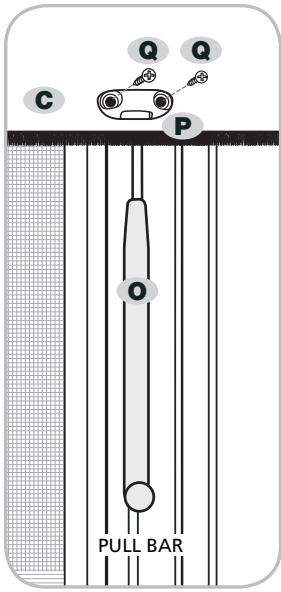
9 OPTIONAL • INSTALLING SLIDE BOLT RETAINERS (APPLICABLE ONLY IF STEP FOUR WAS IMPLEMENTED)

Close the screen doors. Now, on the **B-Bottom Guide Rail** and the **C-Top Guide Rail**, make pencil marks to the center of the channel in which you've installed the Slide Bolts.

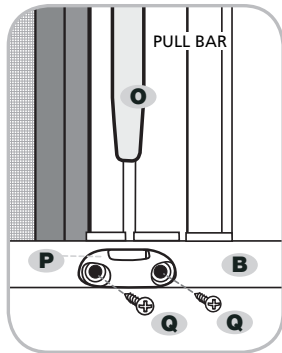
Center the **P-Slide Bolt Retainer** to your channel mark, with the bottom of the **Retainer** flush to the bottom of the **B-Bottom Guide Rail**. Pencil mark the position for the screws, set the **Retainer** aside, and drill 1/8" holes. Then attach the **P-Slide Bolt Retainer** using (2) **Q-#4 x 3/8"** **Phillips Panhead Screws** [9.1].



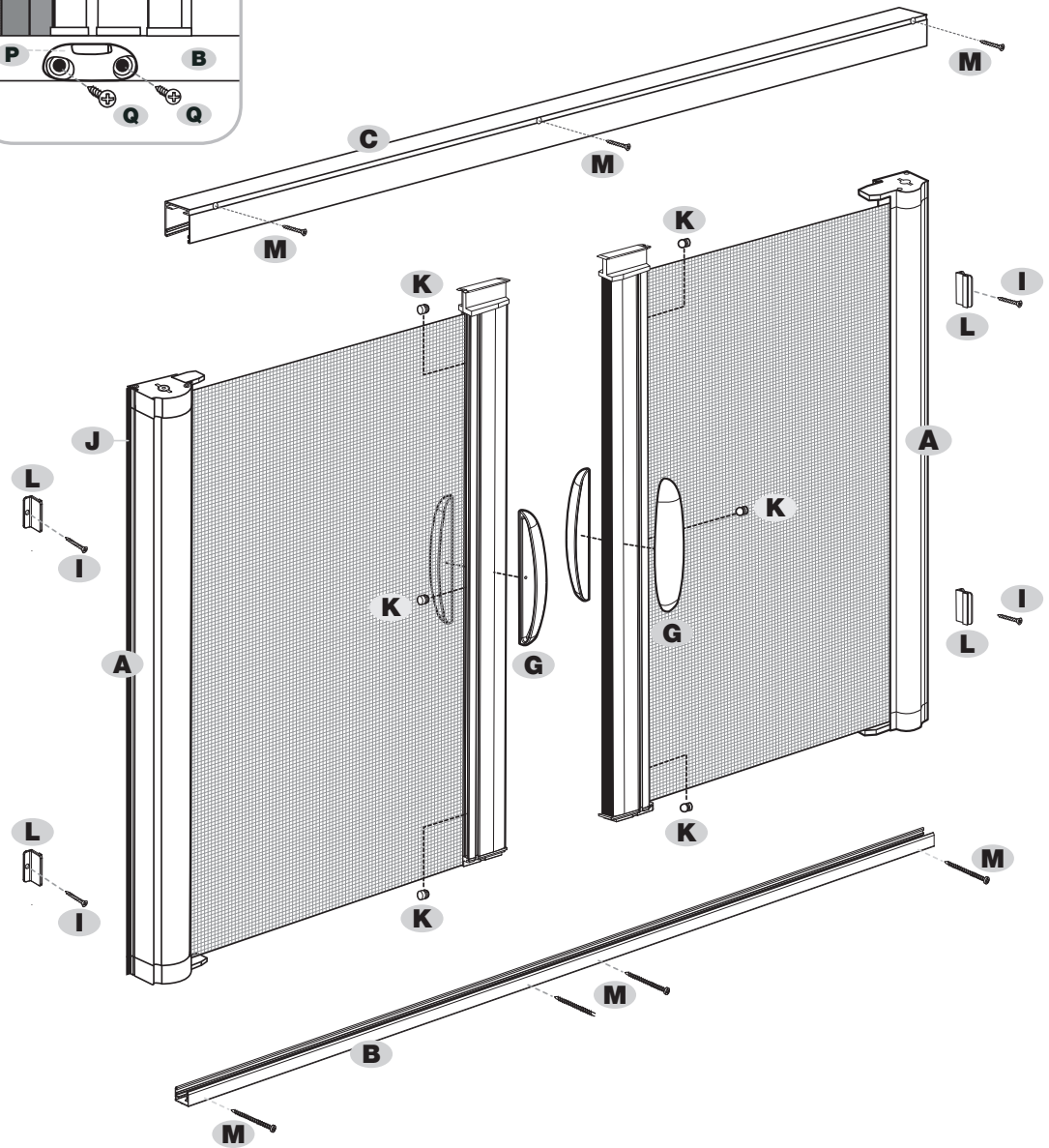
Position the **P-Slide Bolt Retainer** so that it also centers to the channel mark, with the bottom of the **Retainer** flush with the bottom of the **C-Top Guide Rail**. Pencil mark the position for the 4 screws, set aside the **Retainer** and drill 1/8" holes. Attach the **P-Top Slide Bolt Retainer** using (4) **Q-#4 x 3/8"** **Phillips Panhead Screws** [9.2].



Optional Top Slide Bolt



Optional Bottom Slide Bolt



PART DESIGNATIONS

A Screen Cassette Assembly

B Bottom Guide Rail

C Top Guide Rail

G Handle

I #8 x 3/4" (19mm) Phillips
Panhead Screws

J Pile / Weather Strip

K Rubber Bumpers

L Surface Mount Clips

M 1/8" (3mm) x 1-3/4" (44mm)
Surface Mount Screws

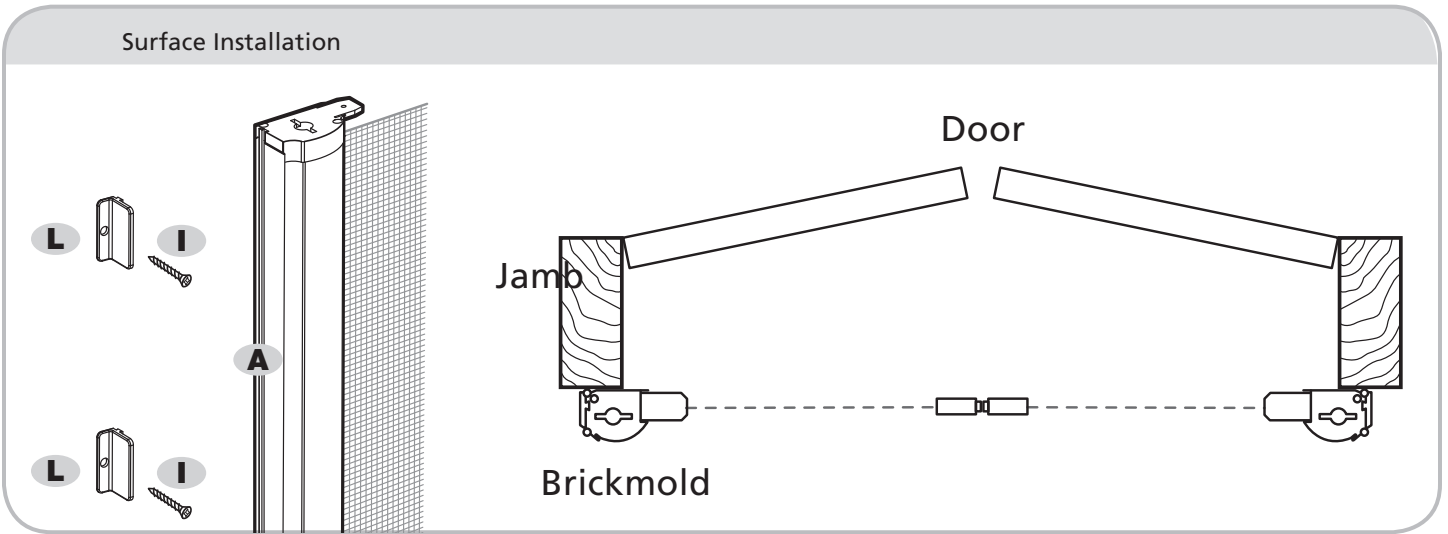
O Slide Bolts

P Slide Bolt Retainers

Q #4 x 3/8" (9.5mm) Phillips
Panhead Screws

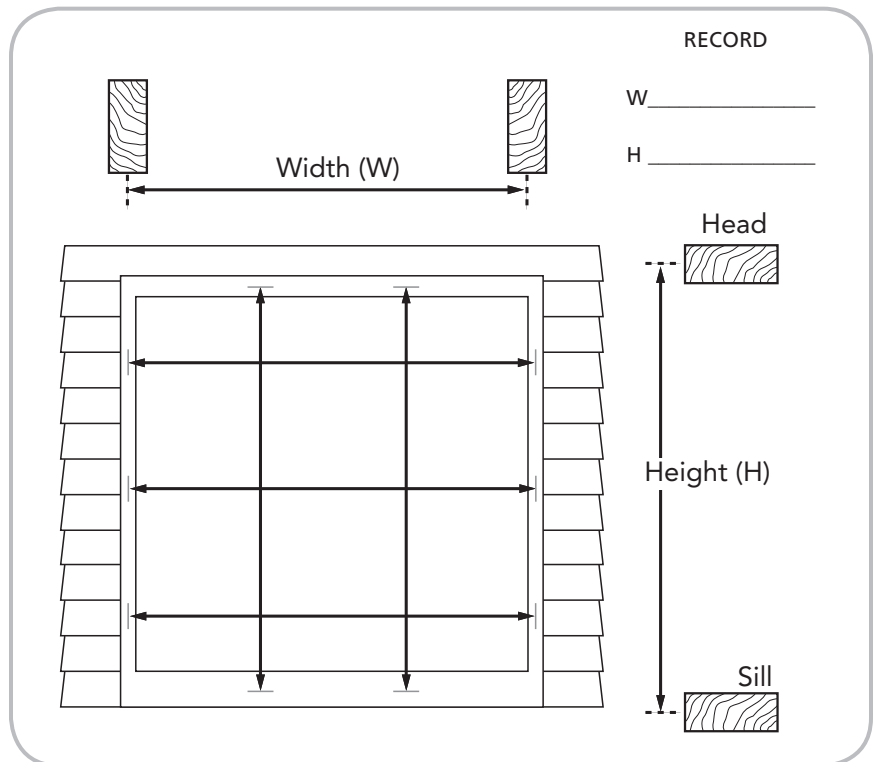
1 MOUNTING

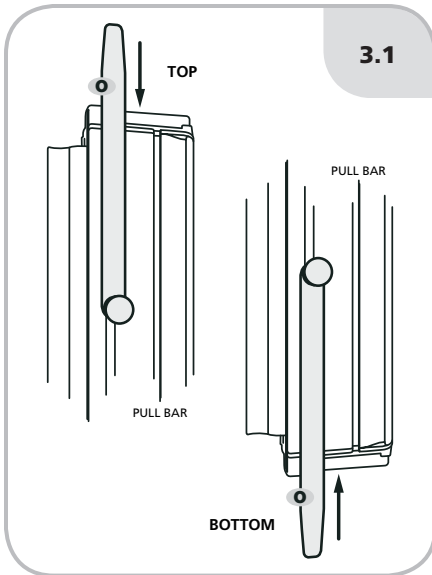
Surface / Flush Mount the A-Screen Cassette using L-Surface Mounting Clips and I-#8 x 3/4" (19mm) Phillips Panhead Screws.



2 MEASURING

Measure the opening width and height in several places and record the smallest width and height measurement.

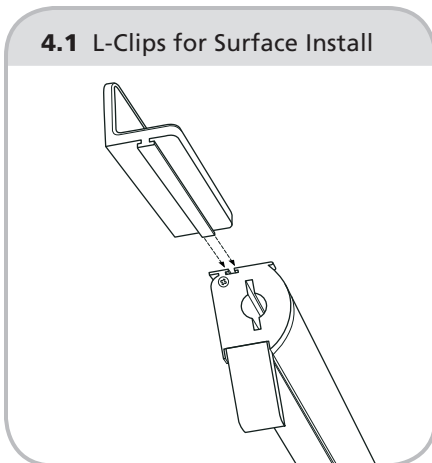




3 OPTIONAL • INSTALLING THE SLIDE BOLT ACCESSORY LOCK

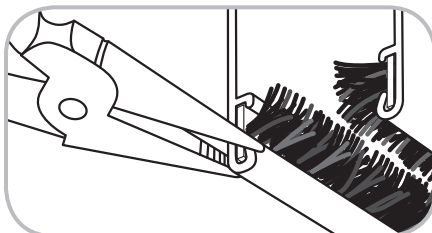
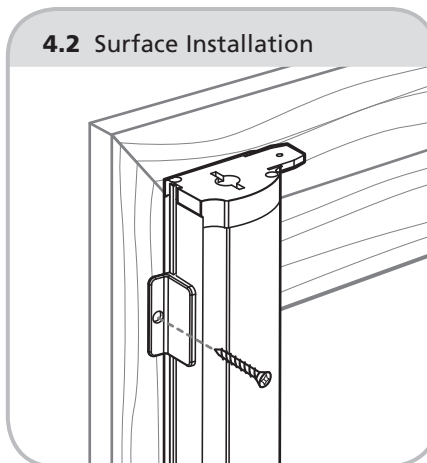
Identify which of the two screen panels will be the one most often used to enter and exit the home. You will install the Slide Bolt Accessory Lock on the interior side of this inactive panel (the side less used).

In the interior groove of the pull bar, **slide in an S-Slide Bolt at the bottom and then another at the top**. Make certain that the pointed end of each Slide Bolt faces out [3.1].



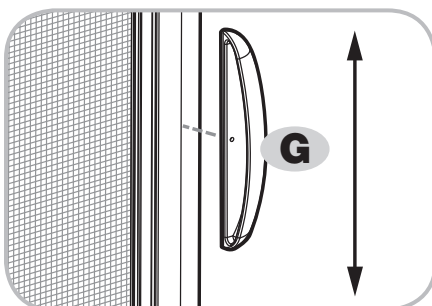
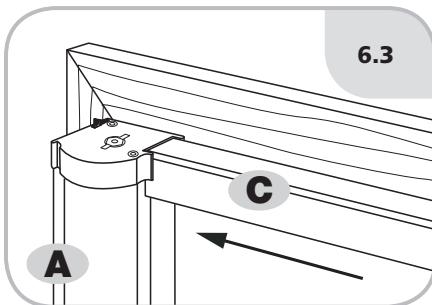
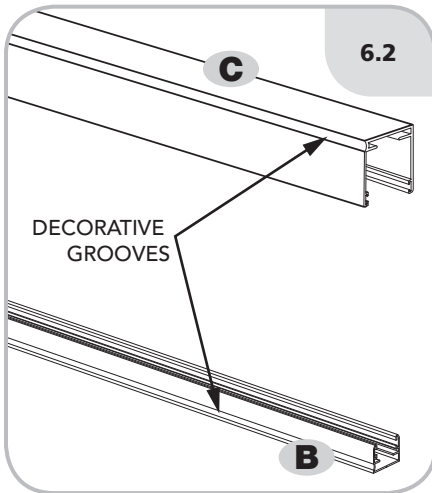
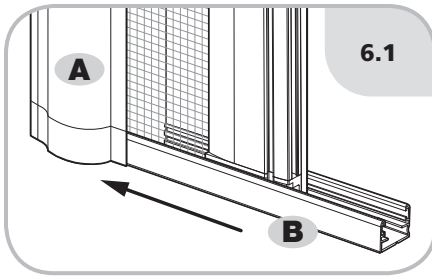
4 INSTALLING THE CASSETTES

Remove and discard the P-Pile/Weather Strip from the back of A-Screen Cassette. Slide two L-Surface Mount Clips into the groove on the rear of the Screen Cassette before proceeding [4.1]. Position the Screen Cassette, and use I-#8 x 3/4" (19mm) Phillips Panhead Screws to secure L-Surface Mount Clips to the opening [4.2]. Repeat for other side of opening.



5 CRIMP WEATHER STRIPS

Crimp in the upraised channel lip on the inside of each corner of the C-Top Guide Rail to keep the J-Pile/Weather Strip from moving, as shown at left.



6 INSTALLING THE TOP AND BOTTOM GUIDE RAILS
Slide the **B-Bottom Guide Rail** fully onto the tabs on the **A-Screen Cassette End Cap** [6.1].

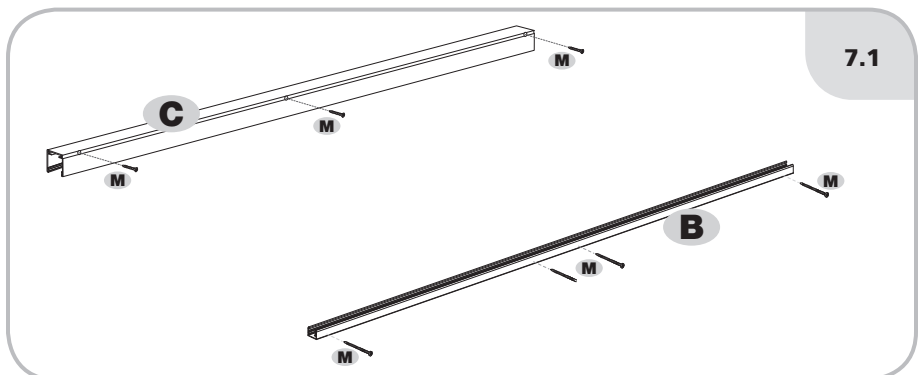
NOTE: The Bottom and Top Rails each have decorative grooves on one side. This groove should face the outside [6.2].

Slide the **C-Top Guide Rail** onto the tabs of the **A-Screen Cassettes Assembly** [6.3].

7 SECURE THE RAILS WITH SCREWS

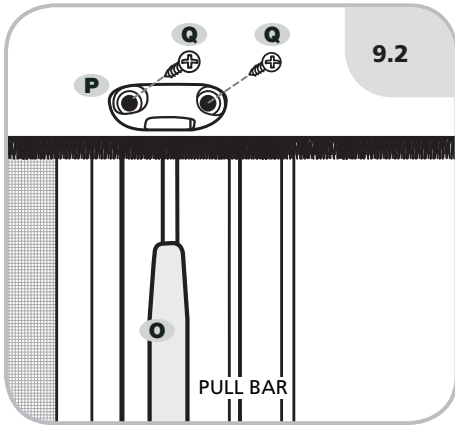
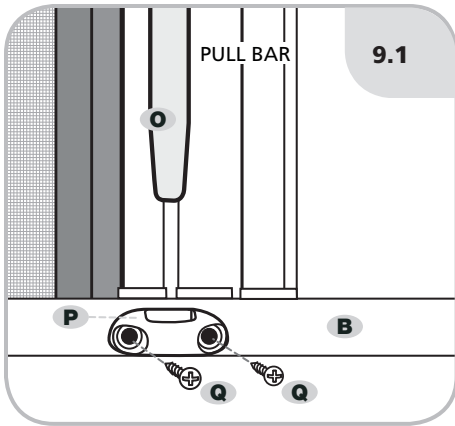
C-Top Guide Rail Using the **Decorative Trim Groove** [6.2] as a guide, staying above the glide platforms inside the **Top Guide Rail**, drill three (3) 1/8" (3mm) holes at a location with one (1) positioned 4" in from each end and one (1) centered. Drill through both sides of the **Top Guide Rail**. Secure the **Top Guide Rail** to the entry with **M-1/8" (3mm) x 1-3/4" (44 mm) Surface Mount Screws**. Do not overtighten.

B-Bottom Guide Rail: Using the **Decorative Trim Groove** [6.2] as a guide (staying underneath the glide platforms inside the **Bottom Guide Rail**), drill four (4) 1/8" (3mm) holes as shown [7.1] and through both sides of the **B-Bottom Guide Rail**. Secure the rails to the frame using **M-1/8" (3mm) x 1-3/4" (44mm) Surface Mount Screws**. Do not over tighten. If the **B-Bottom Guide Rail** will be positioned where it is susceptible to being stepped upon, kicked or otherwise bent, then add structural support for the **B-Bottom Guide Rail** to rest upon. A 1/2" x 1/2" "L" shaped aluminum extrusion is recommended. This or another support material may be purchased at a local hardware store.



8 ADJUSTING THE HANDLES

Adjust the **G-Handle** heights by loosening the **Allen-Head Set Screw**, move the **G-Handle** as desired and retighten screw.



9 **OPTIONAL • INSTALLING SLIDE BOLT RETAINERS** (APPLICABLE ONLY IF STEP FOUR WAS IMPLEMENTED)

Close the screen doors. Now, on the **B-Bottom Guide Rail** and the **C-Top Guide Rail**, make pencil marks to the center of the channel in which you've installed the Slide Bolts.

Center the **P-Slide Bolt Retainer** to your channel mark, with the bottom of the **Retainer** flush to the bottom of the **B-Bottom Guide Rail**. Pencil mark the position for the screws, set the **Retainer** aside, and drill 1/8" holes. Then attach the **P-Slide Bolt Retainer** using (2) **Q-#4 x 3/8"** **Phillips Panhead Screws** [9.1].

Position the **P-Slide Bolt Retainer** so that it also centers to the channel mark, with the bottom of the **Retainer** flush with the bottom of the **C-Top Guide Rail**. Pencil mark the position for the 4 screws, set aside the **Retainer** and drill 1/8" holes. Attach the **P-Top Slide Bolt Retainer** using (4) **Q-#4 x 3/8"** **Phillips Panhead Screws** [9.2].

TROUBLESHOOTING GUIDE

THE DOOR'S BOTTOM THRESHOLD SLOPES STEEPLY:

- ▶ The **Bottom Guide** will not work properly installed at an angle.
Use wedge shims to adjust the **Bottom Guide** until level.

SCREEN IS TORN OR DAMAGED:

- ▶ Replace the mesh using a **Screen Refill Kit**.

THE CLOSING MAGNETS DO NOT FULLY SEAL OR THE SCREEN DOES NOT CLOSE EVENLY:

- ▶ Clean the **Magnets** using mild soap and water.
- ▶ Clean any debris from inside the **Bottom Guide**. Debris can interfere with closing and smooth screen operation.



? INSTALLATION QUESTIONS ? MISSING PARTS ? REPLACEMENT PARTS ?
CONTACT **GENIUS** @ 1.866.523.9511 TOLL FREE • GENIUSSCREENS.COM

SIZING DEDUCTIONS

Your Genius Milano retractable screen will arrive built to fit the net opening dimension that you provided. If adjustments are necessary the following are the required cutting deductions. Please note that all deductions should be made from the original net opening dimensions.

Cassette Style	Cassette Deduction	Pull Bar	30mm Rail	15mm Rail	Magnet Profile
36mm Milano Double Door Cassette	11/16"	2-3/16"	3-3/8"	3-3/8"	0"
41mm Milano Double Door Cassette	11/16"	2-3/16"	3-3/4"	3-3/4"	0"
42mm Milano Double Door Cassette	11/16"	2-3/16"	4-1/4"	4-1/4"	0"



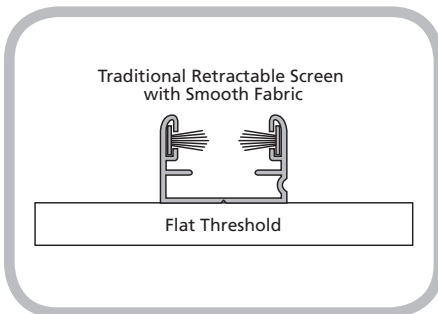
INSTALLATION BULLETIN

for THRESHOLD/SILL APPLICATIONS

There are multitudes of door threshold/sill designs and these must be considered before you install your **Retractable Screen**. For a proper installation it is important to have or create a level and stable surface for mounting the bottom guide of the retractable screen.

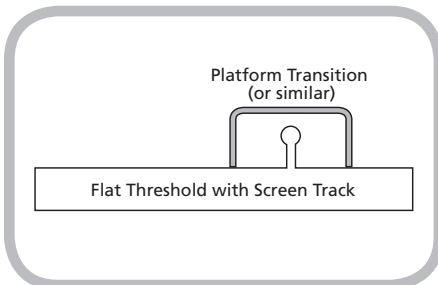
Before beginning, identify the exact location where the **Screen Cassette** will be installed, because this will influence the position of the **Bottom Guide**.

The following are some of the more typical threshold/sill designs and solutions for dealing with these instances.



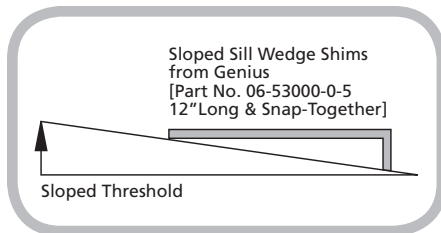
A1 FLAT THRESHOLD/SILL for TRADITIONAL SCREEN

INSTRUCTIONS: Clean the surface and then mount the **Retractable Screen Bottom Guide** directly to the threshold/sill.



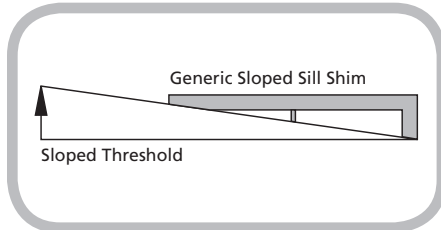
B1 FLAT THRESHOLD/SILL with SCREEN TRACK

INSTRUCTIONS: To span over an existing screen track and make a flat and stable surface, install material such as the **Genius "Platform Transition" [Part #: 01-12360-X-X]**. Most hardware stores also sell shim materials or various shaped aluminum trims that will give the same result.

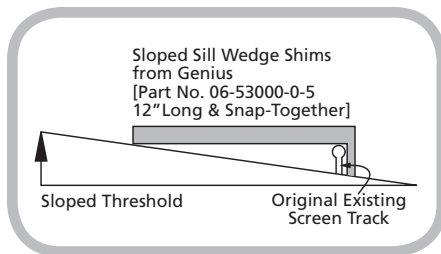


C1 SLOPED THRESHOLD/SILL for TRADITIONAL SCREENS

INSTRUCTIONS: For all other retractable screen styles you will need to make a flat and stable surface by installing shim material using the **Genius Sloped Sill Wedge Shims [Part #: 06-53000-0-5] [C2]**.

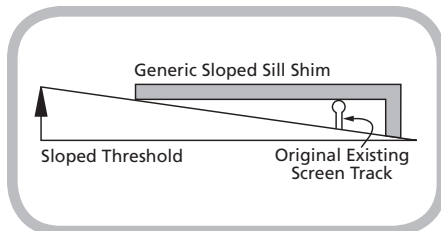


C2 Also, most hardware stores also sell an "L" shaped aluminum trim that works nicely for this purpose [C3].

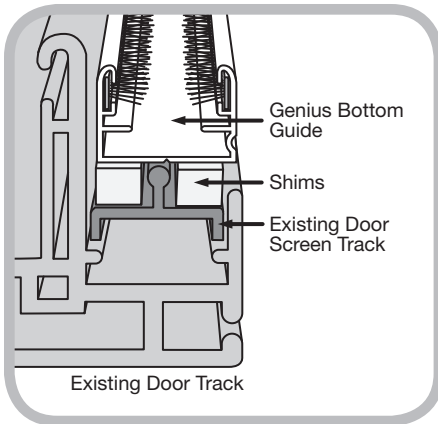


D1 SLOPED THRESHOLD/SILL with SCREEN TRACK

INSTRUCTIONS: To span over an existing screen track and, make a flat and stable surface, install shim material such as the threshold/sill using the **Genius Sloped Sill Wedge Shims [Part #: 06-53000-0-5] [D1]**.

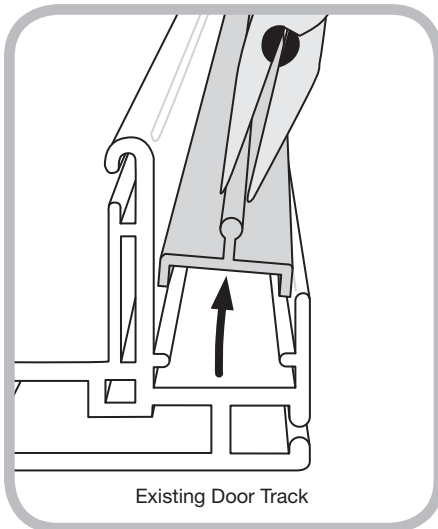


D2 Most hardware stores also sell a flat stock or an "L" shaped aluminum trim that works nicely for this purpose [D2].

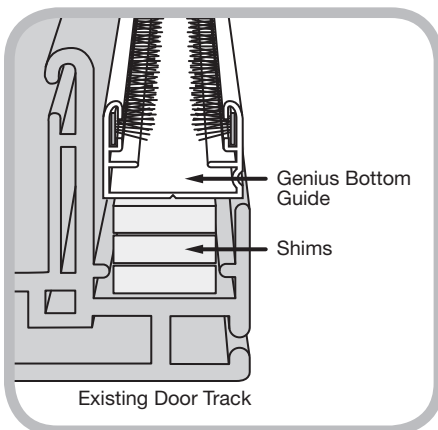


E1 SLIDING PATIO DOOR THRESHOLDS with SCREEN TRACK

INSTRUCTIONS: Many Patio Doors have a **Screen Track [E1]** that will now be obsolete with the installation of your Retractable Screen. For all Genius smooth screen fabric systems (non-pleated screens), there are instances where resting the **Bottom Guide** above the existing screen track is the desirable method. If needed, add shims to create a stable, level surface for mounting the **Guide**.



E2 If however, the existing door's Screen Track is removable, take out the Track by hand or with any type of pliers [E2].



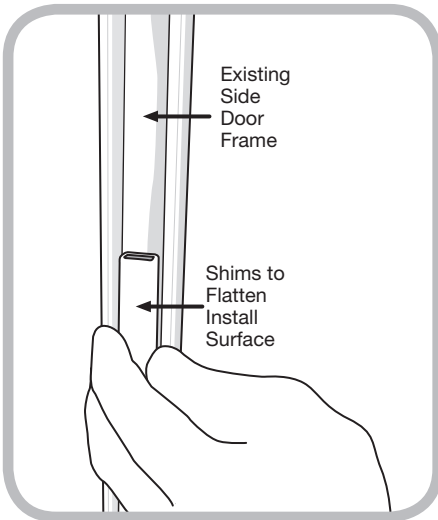
E3 Then add non-degradable shim material (plastic, nylon or similar) [E3] so that you create a flat and stable surface for the Retractable Screen Bottom Guide Rail.

Note: Pleated style screens require the use of the **Genius Sheer Screen Surface Mount Kit**. See Installation Bulletin - Sheer Screen Surface Mount Kit.



INSTALLATION BULLETIN

for TOP AND SIDE GUIDE RAILS



A1 EXISTING SIDE RAIL PREPARATION with SHIMS

INSTRUCTIONS: Since there are multitudes of door master frame designs, all surfaces where you will be mounting the screen must be considered before you install the retractable screen.

In the case of the side rails, again, existing door frames may have multiple channels, or flanges of different heights, that make for a surface too uneven for efficient installation of your new screen. In this case, you will need to shim this channel or channels to the height of the tallest flange in the existing side door frame. It is recommended you order or find shims made of a non-degradable material (plastic or nylon, for example) that can be fitted into the channel(s), of sufficient length to assure a flat and vertically plumb surface for the new side rail.